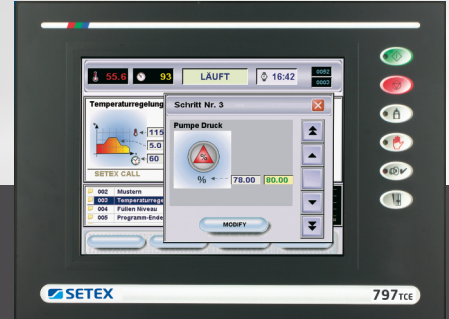


SECOM 797_{TCE}

Touch screen controller for discontinuous dyeing processes

Simplest operation, outstanding efficiency and a high level of security – experience the unique operation concept of the SECOM 797_{TCE}.



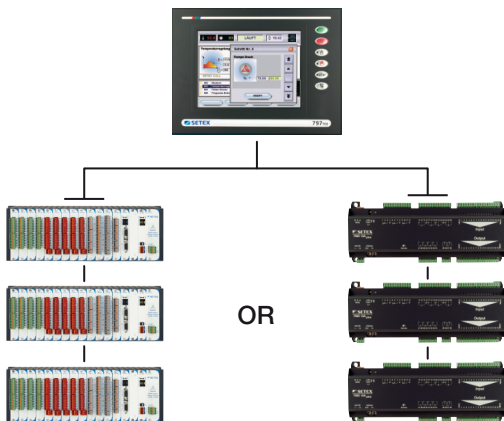
SECOM 797_{TCE} is the ideal companion for the performance and cost-effective full automation to all kinds of dyeing machines.

Corresponding to the complexity of today's dyeing machines for yarns, fabrics or other types, the modular I/O concept is already designed for the required variations. It is particularly suitable for supplementing the existing SETEX CE controlled production floor. For a safe, clear and fast maintainable cabling of the machine technology, the

integrated PLC works with decentralized input/output systems as FMD modules and SETEX Compact Rack.

The proven and reliable fanless SECOM 797_{TCE} technology is the ideal choice for long-term industrial operation.

Application



SECOM 797_{TCE}: max. 3 Compact racks or FMD 8A to FMD 32A_{plus} modules are selectable

SECOM 797_{TCE} with integrated PLC

TFT display	10.4"
Resolution	VGA
Touch control	•
Functionality	
Parallel functions	12
Maximum no. of functions	200
Look ahead/batch overlapping	•
Statistics	•
Integrated formula/time management	•
Short intervention/manual functions	•
User management	•
Production data acquisition (PDA)	•
Internet service portal	•
Data transfer and backup	USB stick
Interface	
OrgaTEX	•
Fieldbus	DIOS
USB	•
Internal PLC SC26 (IEC1131, CoDeSys 2.3)	•
PLC to PLC communication	•
Max. connections FMD modules or Compact	3



Technical specification

Hardware

Mass-storage-system: industrial SD card

Display

10.4" TFT color display with touch screen

Resolution: 640 x 480 Pixel

Functions

Each step: 1 main/12 parallel with
6 function parameters each

Number of functions: 200 out of 1000

Programs: max. 9999

Interfaces

RJ45: Ethernet, 10/100 MBit
(OrgaTEX)

RJ45 – Service: Ethernet, 10/100Mbit
(CoDeSys, PLC to PLC
communication)

USB: 1 x USB (rear)

DIOS: FMD modules, Compact

Integrated UPS

Power loss protection for minimum 10 sec

Input voltage

Nominal voltage: 24 V DC

Range permitted: 18–30 V DC

Power

Inrush current: up to 12 A for max. 5 ms

Operation current: 500 mA

Power consumption: 12 W (500 mA at 24 V)

Protection system

Front: IP 54

Rear: IP 21

Ambient conditions

Operating temperature: 0...+50 °C (32...122 °F)

Storage temperature: 0...+70 °C (32...158 °F)

Relative humidity: 15–95% no condensation

Dimensions (W x H x D)

350 x 262 x 92 mm (without connector)

Weight

approx. 3600 g

Scope of delivery

Art. no. STS68021

1 Controller SECOM 797TCE

with plug-in PLC SC26 (CoDeSys 2.3) and DIOS interface

1 SECOM mounting devices

1 SECOM connecting devices

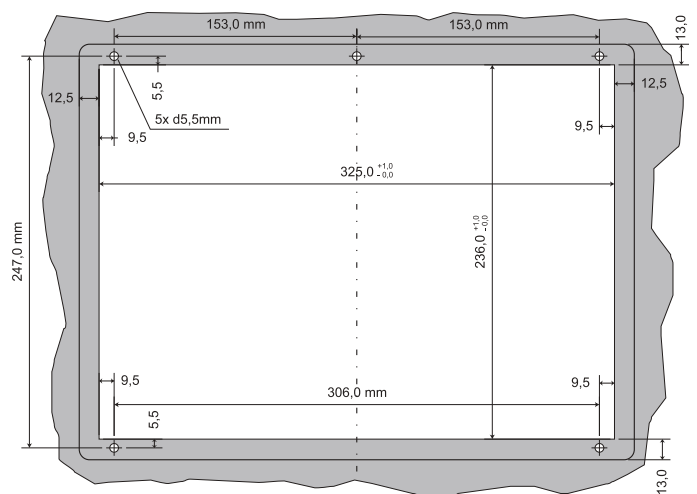
Accessories

Art. no. BGS38550

1 Touch screen protector foil



Bottom view SECOM 797TCE



Dimensions: 350 x 262 x 92 mm (W x H x D)

Panel cutout: 325 x 236 mm (W x H)